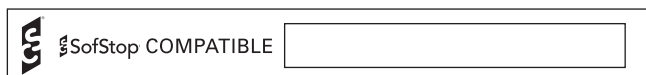


Instructions for retrofit

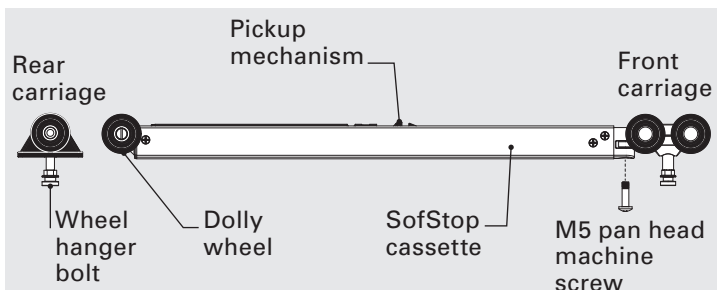
Single Action Soft Close

Instructions for retrofitting SofStop mechanism to a CS Cavity Slider pocket frame that has already been installed.

Compatible products will have a sticker similar to this in the track:



The SofStop mechanism fits together as shown:



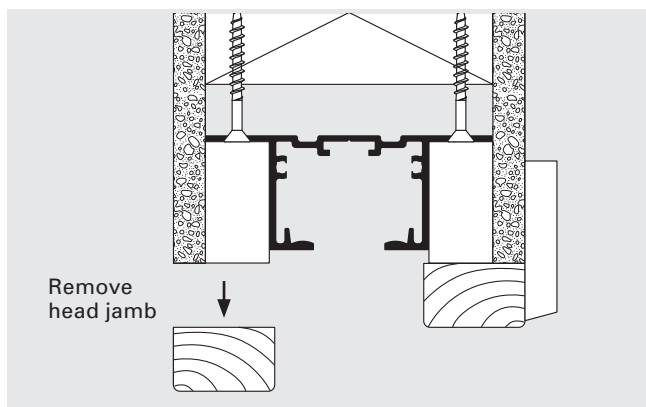
1. Remove head jamb (if fitted).

The head jamb must first be removed so that access may be gained to the carriages.

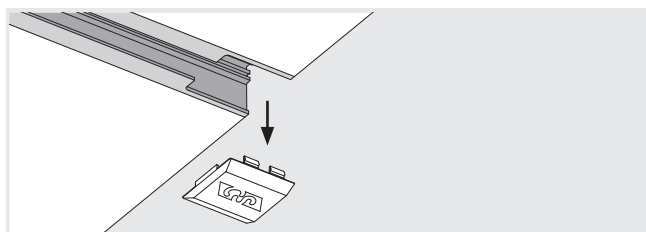
Choose the best side to remove the door from and remove the head jamb on that side by first removing any architraves/casings.

Hint: Make a thin knife cut where any paint joins two components so as not to tear existing paint work.

Remove the head jamb.



2. Remove track notch cover (if fitted).

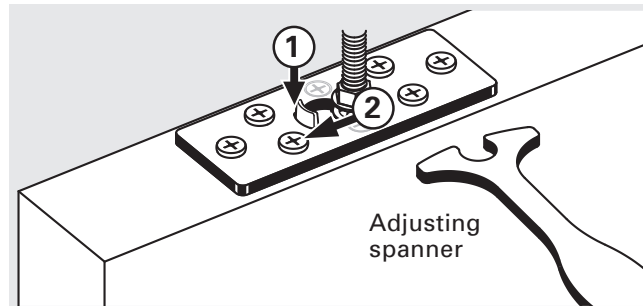


3. Remove the front carriage.

Fit the club end of the adjusting spanner over the hexagonal nut at the bottom of the hanger pin.

- ① Use the extended part of the spanner to press down the plunger pin that protrudes up from the mounting plate.
- ② Once this plunger is fully depressed, slide the spanner sideways towards the plunger pin.

The whole carriage (including the shaft) will now disengage from the mounting plate.

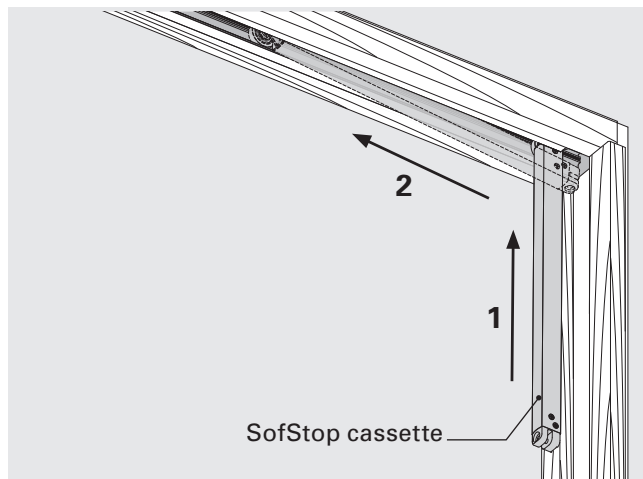


It is not always easy to slide the spanner sideways. You may need to relieve the door's weight by putting a wedge between door and floor.

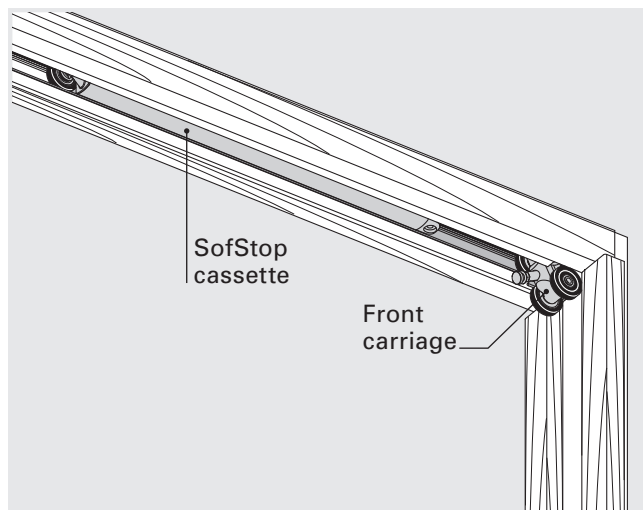
Slide the front carriage out of the notched end of the track. Leave the rear carriage in the track.

4. Load the SofStop mechanism into the track:

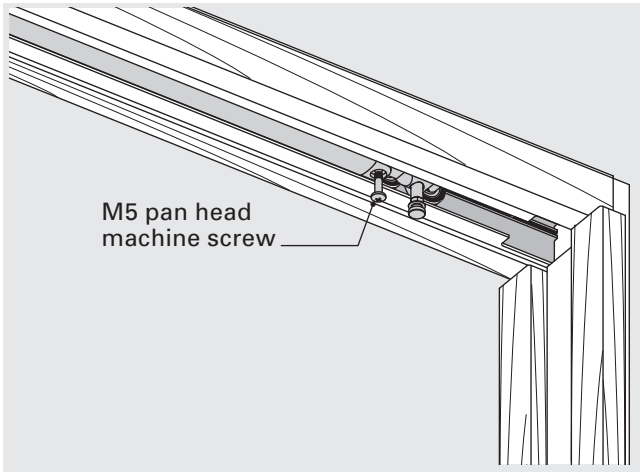
- a) Insert the cassette into the notched end of the track, dolly wheel first, ensuring that the pickup mechanism is facing up.



- b) Slide the front carriage into the track with the tow bar facing towards the SofStop cassette.



- 4 c) Secure the carriage to the cassette with the M5 pan head machine screw.
Tighten with a #2 Phillips drive.

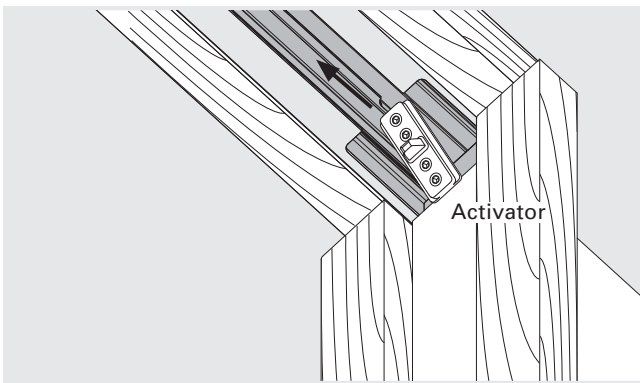


5. Rehang the door.

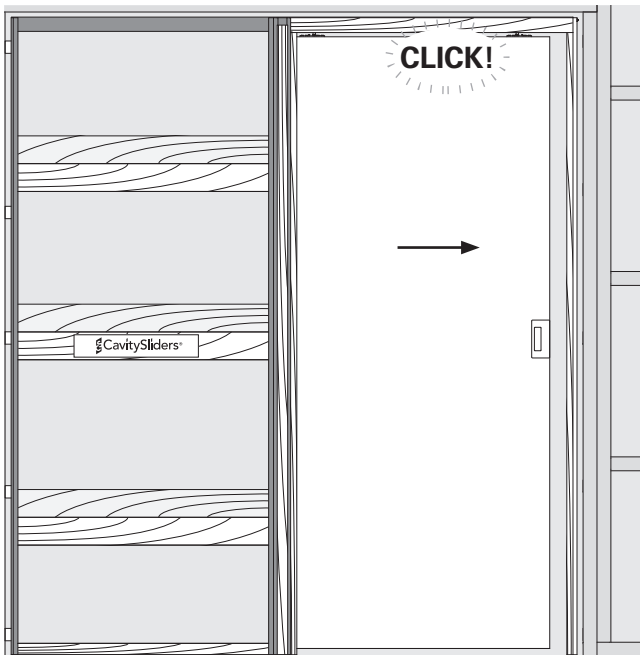
Position the door underneath the carriages and offer the mounting plate onto the wheel hanger bolt.
Depress the plunger using the bolt head and slide across until the bolt snaps into locked position.

6. Set the activator position.

- a) Open the door and insert the activator, moving it into the approximate centre of the door opening.
Tighten 2 grub screws.

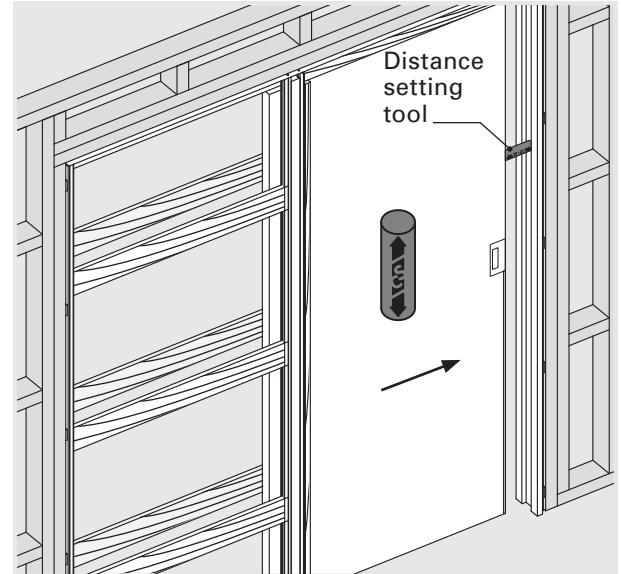


- b) Gently close the door until the pickup mechanism goes past the activator. You will hear a click.
The cassette is now charged.



- c) Open the door again and loosen the activator grub screws.

- 6 d) Position the distance setting tool against the centre of the closing jamb or finished wall and gently close the door onto it.
The activator will slide along the track into the correct position.



- e) Open the door and remove the distance setting tool.
Without moving the activator, securely tighten all four grub screws. The activator is now positioned.

7. Refit the head jamb and the track notch cover if required.



**Cavity Sliders Limited
Auckland Head Office**
5 - 7 Rakino Way
Mt Wellington
PO Box 112349, Penrose
Auckland 1642, NZ
T 09 276 0800
E info@csfordoors.co.nz
www.csfordoors.co.nz

**CS Cavity Sliders Pty Ltd
Sydney**
T 02 9905 0588
E info@cavitysliders.com.au
www.cavitysliders.com.au

**Cavity Sliders USA Inc
Gardena, CA**
T (888) 466 0030
E info@cavitysliders.com
www.cavitysliders.com